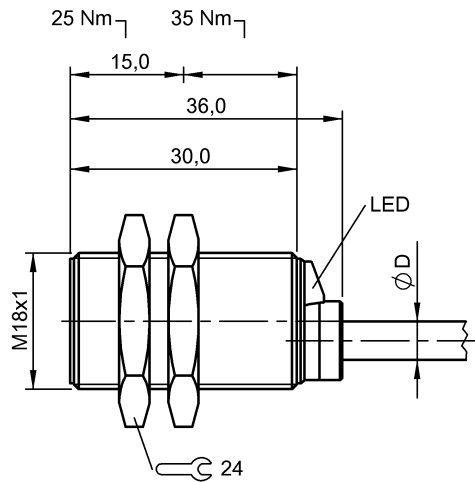


BES M18MD-PSC80B-BP02-003
Ordering code: BES00EP

Inductive sensor
Global
M18x36 mm

DC, direct current
PNP/Normally open (NO)
Sn= 8 mm
Flush (shielded)
■ ■

BALLUFF
sensors worldwide



Characteristic data

Assured operating distance Sa	6,4
Eff. switching distance Sr	8 mm
Tolerance Sr	±10 %
Hysteresis H max. (in % of Sr)	15 %
Repeat accur. R max. (% of Sr)	5 %
Ambient temperature	-25...70 °C
Temp. drift max. (% of Sr)	10 %
Switching freq. f max.	150 Hz
Ready delay tv max.	10 ms
Utilisation category	DC 13
Function indicator	Yes
Power indicator	No
Short-circuit protected	Yes
Protected against polarity reversal	Yes
Protected against miswiring	Yes
Enclosure Type per IEC 60529	IP67
Principle of operation	Inductive

Electrical data

Operating voltage	10...30 V DC
Ripple max. (% of Ue)	15
Rated operating voltage Ue DC	24 V
Voltage drop static max.	3,5 V
Rated insulation voltage Ui	75 DC
Effective operating current Ie	130 mA
No-load current Io damped max.	25 mA
Max. no-load cur. Io undamped	12 mA
Off-state current Ir max.	80 µA

Minimum operating current Im	0 mA
Rated short circuit current	100 A
Output resistance Ra	2.0k + D + LED
Load capacitance max. (at Ue)	1 µF

Mechanical data

Connection type	Cable
Cable diameter D max.	4,6 mm
Cable short designation	Li9Y11Y-O
Cable length	2 m
Number of conductors	3
Conductor cross-section	0.34 mm ²
Housing material	CuZn
Oberflächenschutz	Nickel-plated
Sensing surface material	PBT
Cable jacket material	PUR
Mounting length	30 mm
Shock rating	Shock, half-sinus, 30 gn, 11ms
Vibration rating	55 Hz, 1 mm ampl., 3x30 min
Degree of contamination	3
Tightening torque	25 Nm / 35 Nm

Basic data

Basic standard	IEC 60947-5-2
----------------	---------------

Remarks

The sensor is functional again after the overload has been eliminated.
 Embeddable: See installation notes for inductive sensors with extended switching distance 825357.



BES M18MD-PSC80B-BP02-003
Ordering code: BES00EP

Inductive sensor
Global
M18x36 mm

DC, direct current
PNP/Normally open (NO)
Sn= 8 mm
Flush (shielded)
■ ■

BALLUFF

sensors worldwide

